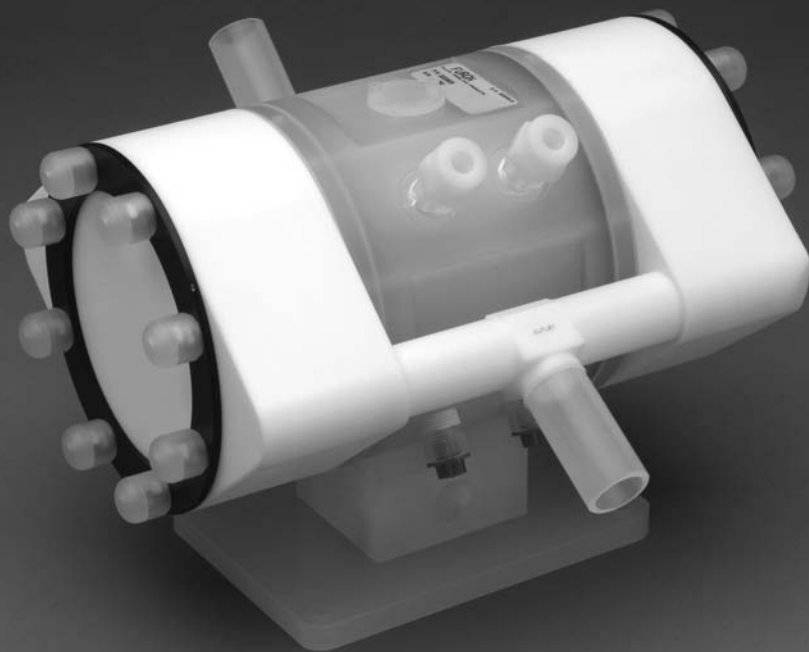


Furon® Chempure™ Diaphragm Pump

1/2" Pump: 8 GPM (30l/min) & 3/4" Pump: 16 GPM (60 l/min)



Operation

Furon® Chempure™ Pumps are designed for high-purity of corrosive applications where contamination is not acceptable and chemical inertness is a must. The Chempure™ Pump's fluid flow path is constructed of 100% virgin PTFE with fully swept internal chamber areas and no exposed metallic parts. High-purity spring-loaded valves incorporate a low particle generation design with dry priming capability. The "quick-release base" mounting system allows for easy installation of the pump, as well as removal of the entire pump for preventive maintenance with the pull of a single pin.

Furon® Chempure™ Pumps have offered superior reliability and durability in handling of aggressive or ultrapure chemistries for over 20 years. Rated for 100% duty cycle, Chempure™ Pumps have been cycle tested to more than 40 million cycles without failure.

Optional features include built-in pulsation dampeners, which save space and minimize leak potential by eliminating plumbing components. Patented fiber optic leak detect sensors may be installed between the two containment diaphragms, offering the highest standard in chemical safety. Additionally, the Chempure™ Pumps may be configured with a variety of end connections, assuring compatibility with virtually any fluid handling system.

Features/Benefits

- 100% virgin PTFE wetted flow path
- Double diaphragm containment
- Self priming
- Rated for 100% continuous duty
- Integrated pulsation dampener (optional) saves space and reduces plumbing
- Optional fiber optic leak detection
- Quick release base for ease of installation and maintenance

Applications

- Transfer of ultrapure liquids used in the semiconductor, pharmaceutical, and life sciences industries
- Transfer of harsh or aggressive chemistries

Furon® Chempure™ Diaphragm Pump

1/2" Pump: 8 GPM (30 l/min) & 3/4" Pump: 16 GPM (60 l/min)

Ordering Information

PART NO.	ORIFICE	INLET	CONNECTION	A	B	C
CDP30-8A-8A-0-B-1-S	1/2"	1/2"	Fine Thread Flare	11.75" (298.45 mm)	8.65" (219.7 mm)	8.75" (222.25 mm)
CDP30-87-87-0-B-1-S	1/2"	1/2"	Fuse Bond	11.75" (298.45 mm)	8.65" (219.7 mm)	8.75" (222.25 mm)
CDP60-12A-12A-0-B-1-S	3/4"	3/4"	Fine Thread Flare	16.30" (414.02 mm)	10.50" (266.70 mm)	11.91" (302.51 mm)
CDP60-127-127-0-B-1-S	3/4"	3/4"	Fuse Bond	16.30" (414.02 mm)	10.50" (266.70 mm)	11.91" (302.51 mm)

Standard Options

- Built-in pulsation dampener
- Stand-alone pulsation dampener
- Fiber optic leak detect sensor
- Alternate end connections (consult factory for availability)

Specifications and Performance

- Maximum Operating Temperature: 203°F (95°C)
- Maximum Discharge Pressure: 100 PSIG (689 kPa)
- Operating Air Pressure: 20 PSIG (138 kPa) to 100 PSIG (689 kPa)
- Mounting position: Any Orientation
- Maximum Discharge Volume: 1/2" — 8 gpm (30 liters/min)
3/4" — 16 gpm (60 liters/min)
- Maximum Discharge Volume per Stroke: 1/2" — 8.6 in³ (140 cc)
3/4" — 23.3 in³ (380 cc)
- Self Priming Efficiency (SG = 1.0): 10 ft. (3.05m)
- Inlet and Outlet manifolds rotate 180 degrees to provide flexibility during installation

Notes:

*Performance data based on water at ambient temperature. Maximum dry suction lift on water 10 feet.

Saint-Gobain Performance Plastics-USA

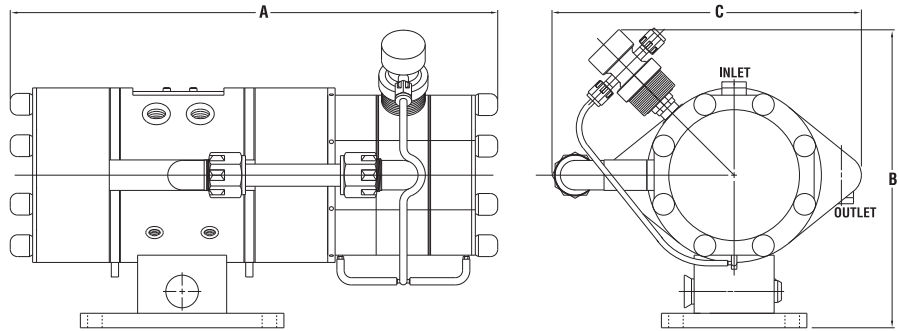
Polymer Products

7301 Oranwood Avenue
Garden Grove, CA 92841-1411
Tel: (714) 630-5818
Fax: (714) 688-2614
USA Toll Free: (800) 833-5661

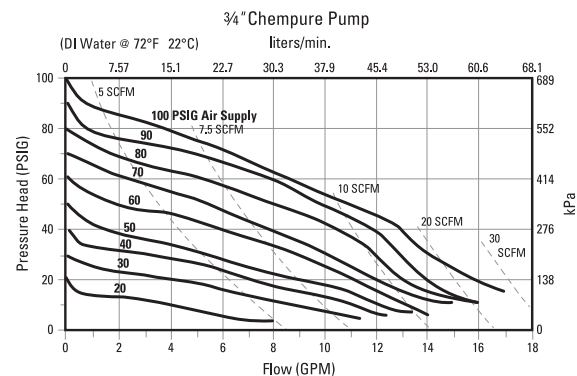
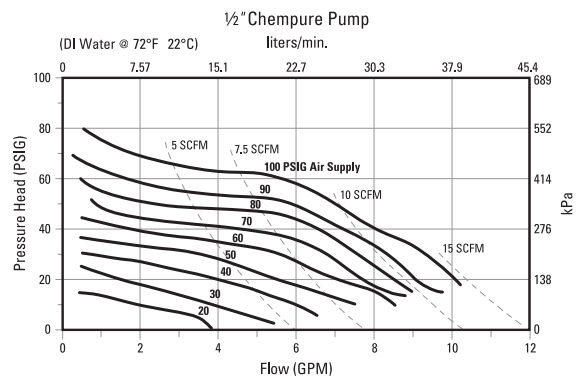
Saint-Gobain Performance Plastics-France

Polymer Products

41 Boulevard des Bouvets
Nanterre F-92000, France
Tel: 33/(0) 1 55 68 59 59
Fax: 33/(0) 1 55 68 59 68



Inlet Pressure vs. Flow*



Furon® is a registered trademark.
Flare Grip® is a registered trademark.
Grab Seal™ is a trademark.
ChemPure™ is a trademark.

12-month **Limited Warranty:** For a period of 12 months from the date of first sale, Saint-Gobain Performance Plastics Corporation warrants this product to be free from defects in manufacturing. This company's only obligation will be to provide replacement product for any material proven to have such a defect, or at SGPPL's option, to refund the purchase price thereof. User assumes all other risks, if any, including the risk of injury, loss or damage, whether direct, consequential or incidental, arising out of the use, misuse, or inability to use this product. SAINT-GOBAIN PERFORMANCE PLASTICS DISCLAIMS ALL IMPLIED WARRANTIES OF MERCHANTABILITY AND FITNESS FOR A PARTICULAR PURPOSE. Saint-Gobain Performance Plastics reserves the right to change product specifications without prior notice.

NOTE: Saint-Gobain Performance Plastics Corporation does not assume any responsibility or liability for any advice furnished by it, or for the performance or results of any installation or use of the product or of any final product into which the product may be incorporated by the purchaser and/or user.