

Furon® CDV-1000 Compact Diaphragm Valve

Manually Actuated 2-Way Multiturn (1/2" Orifice)



Operation

- Manually operated multiturn featuring throttling and soft closure capability
- 90 PSIG (621 kPA) rated/bidirectional

Applications

- Designed for use in the delivery of high purity chemical in corrosive semiconductor applications
- Ideal for applications which require both a high C_v factor and minimum footprint
- High-purity media pressure applications
- Totally inert, all-PTFE/PFA, fully swept flow path
- Adjusts flow rates for volumetric control in process applications
- Protects sensitive devices, such as filters, from hydraulic shock due to soft open and closure capability minimum footprint
- No hold-up volume; complete drain down

Features/Benefits

- Compact Design
- Superior MTBF (Mean Time Before Failure)
- Injection-Molded, ultra high-purity, PFA-Wetted flow path with virgin PTFE diaphragm
- No exposed metalics
- Leak detection capability
- Visual position indication
- High back-pressure capability
- Assembled and double-bagged in a Class 100 cleanroom
- Diaphragm technology
- Super type PillarFitting® available
- Small footprint
- Compatible with wide variety of systems
- Meets the semiconductor industry's ultra high purity chemical requirements
- Uniform modular design ideally suited for customized manifold configurations
- Suitable for high back-pressure applications
- Rapid installation due to high center line
- No hold-up volume, complete drain down

Furon® CDV-1000 Compact Diaphragm Valve Manually Actuated 2-Way Multiturn (1/2" Orifice)

Ordering Information

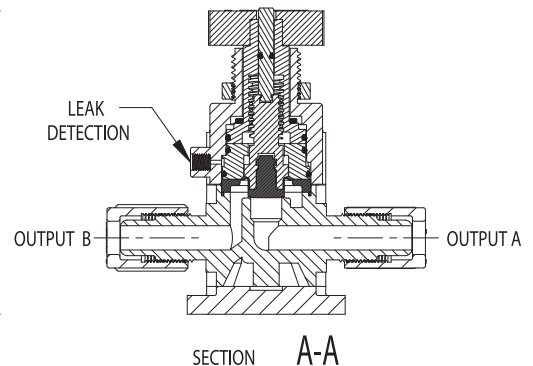
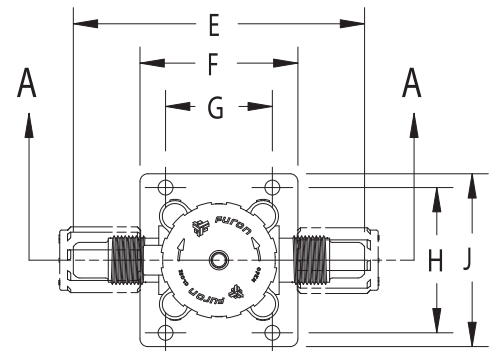
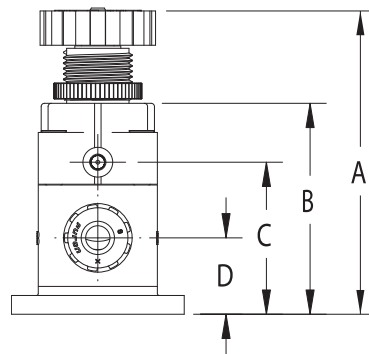
Part Number	Orifice Size	End Connection	C _v Flow Factor	Port Size	A	B	C	D	E	F	G	H	I	J
CDV2-NP88 MT	1/2"	Super Type	2.0	1/2"	4.11 (104.59mm)	2.35 (59.69mm)	1.18 (29.97mm)	3.58 (90.42mm)	2.81 (71.37mm)	4.76 (121.00mm)	2.44 (61.96mm)	1.65 (41.91mm)	2.24 (57.00mm)	2.67 (67.82mm)
CDV2-F88 MT	1/2"	Flare Grip II	2.0	1/2"	4.11 (104.59mm)	2.35 (59.69mm)	1.18 (29.97mm)	3.58 (90.42mm)	2.81 (71.37mm)	4.72 (119.89mm)	2.44 (61.96mm)	1.65 (41.91mm)	2.24 (57.00mm)	2.67 (67.82mm)
CDV2-F812 MT	1/2"	Flare Grip II	2.0	3/4"	4.11 (104.59mm)	2.35 (59.69mm)	1.18 (29.97mm)	3.58 (90.42mm)	2.81 (71.37mm)	4.76 (121.00mm)	2.44 (61.96mm)	1.65 (41.91mm)	2.24 (57.00mm)	2.67 (67.82mm)
CDV2-7812 MT	1/2"	FuseBond	2.0	3/4"	4.11 (104.59mm)	2.35 (59.69mm)	1.18 (29.97mm)	3.58 (90.42mm)	2.81 (71.37mm)	4.72 (119.89mm)	2.44 (61.96mm)	1.65 (41.91mm)	2.24 (57.00mm)	2.67 (67.82mm)

Standard Options

- Adj: Micro-Adjust Bypass

Specifications And Performance

- Ambient operating temperature—
32°F to 120°F (0°C to 50°C)
- Media operating temperature—
41°F to 180°F (5°C to 82°C)
- Media operating pressure—
90 PSIG at room temperature
- Maximum back pressure—90 PSIG
- C_v flow factor 2.7 with 1/2" PT port connections
- Vacuum capability to 27" Hg
- 100% virgin injection molded HP PFA Body
- Polypropylene actuator components



Saint-Gobain Performance Plastics-USA

7301 Orangewood Avenue
Garden Grove, CA 92841-1411
Tel: (714) 630-5818
Fax: (714) 688-2614
USA Toll Free: (800) 833-5661

France

Tel: 33/(0) 1 55 68 59 59
Fax: 33/(0) 1 55 68 59 68



US Patent 6,000,416

Furon® is a registered trademark.
Flare Grip® is a registered trademark.
PillarFitting® is a registered trademark of
Nippon Pillar Packaging Co., LTD.
Furon Company is an authorized distributor
and licensee of the Super Type PillarFitting®.

12-month Limited Warranty: For a period of 12 months from the date of first sale, Saint-Gobain Performance Plastics Corporation warrants this product to be free from defects in manufacturing. This company's only obligation will be to provide replacement product for any material proven to have such a defect, or at SGPPL's option, to refund the purchase price thereof. User assumes all other risks, if any, including the risk of injury, loss or damage, whether direct, consequential or incidental, arising out of the use, misuse, or inability to use this product. SAINT-GOBAIN PERFORMANCE PLASTICS DISCLAIMS ALL IMPLIED WARRANTIES OF MERCHANTABILITY AND FITNESS FOR A PARTICULAR PURPOSE.

NOTE: Saint-Gobain Performance Plastics Corporation does not assume any responsibility or liability for any advice furnished by it, or for the performance or results of any installation or use of the product or of any final product into which the product may be incorporated by the purchaser and/or user.