

Furon® CDV-1000 Compact Diaphragm Valve

Manually Actuated 2-Way Toggle (1/2" Orifice)



Features/Benefits

- Compact Design
- Superior MTBF (Mean Time Before Failure)
- Injection-Molded, ultra high-purity, PFA-Wetted flow path with virgin PTFE diaphragm
- No exposed metalics
- Leak detection capability
- High back-pressure capability
- Assembled and double-bagged in a Class 100 cleanroom
- Patented diaphragm technology
- Super type PillarFitting® available
- Small footprint
- Compatible with wide variety of systems
- Meets the semiconductor industry's ultra high purity chemical requirements
- Uniform modular design ideally suited for customized manifold configurations
- Suitable for high back-pressure applications
- No hold-up volume, complete drain down

Operation

- Manually actuated toggle valve
- 90 PSIG (621 kPA) rated/bidirectional

Applications

- Designed for use in the delivery of high purity chemical in corrosive semiconductor applications
- Ideal for applications which require both a high C_v factor and minimum footprint

Furon® CDV-1000 Compact Diaphragm Valve

Manually Actuated 2-Way Toggle

Ordering Information

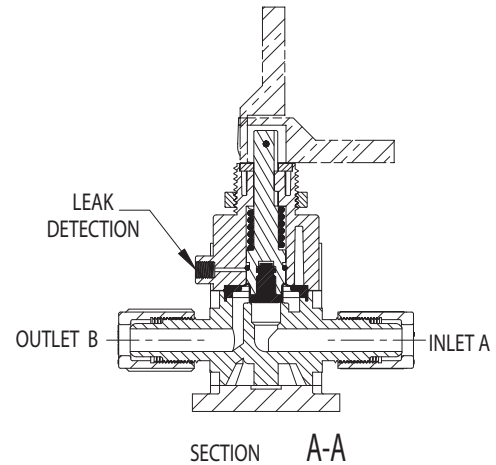
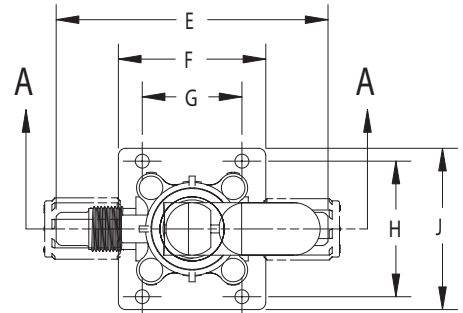
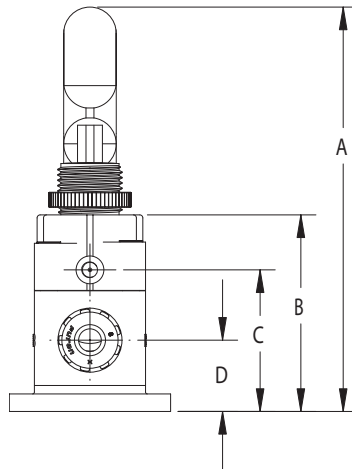
Part Number	Orifice Size	End Connection	C _v Flow Factor	Port Size	A	B	C	D	E	F	G	H	I	J
CDV2-NP88 TG	1/2"	Super Type	2.0	1/2"	6.69 (169.93mm)	3.24 (82.30mm)	2.34 (59.44mm)	1.18 (29.97mm)	4.41 (112.00mm)	2.44 (61.96mm)	1.65 (41.91mm)	2.24 (57.00mm)	2.67 (67.82mm)	2.67 (67.82mm)
CDV2-F88 TG	1/2"	Flare Grip II	2.0	1/2"	6.69 (169.93mm)	3.24 (82.30mm)	2.34 (59.44mm)	1.18 (29.97mm)	4.41 (112.00mm)	2.44 (61.96mm)	1.65 (41.91mm)	2.24 (57.00mm)	2.67 (67.82mm)	2.67 (67.82mm)

Standard Options

- Adj: Micro-Adjust Bypass

Specifications And Performance

- Ambient operating temperature—32°F to 120°F (0°C to 50°C)
- Media operating temperature—41°F to 180°F (5°C to 82°C)
- Media operating pressure—90 PSIG at room temperature
- Maximum back pressure—90 PSIG
- C_v flow factor 2.7 with 1/2" PT port connections
- Vacuum capability to 27" Hg
- 100% virgin high purity PFA injection molded body
- PTFE diaphragm
- Polyethelene actuator components



Saint-Gobain Performance Plastics-USA

7301 Orangewood Avenue
Garden Grove, CA 92841-1411
Tel: (714) 630-5818
Fax: (714) 688-2614
USA Toll Free: (800) 833-5661

France

Tel: 33/(0) 1 55 68 59 59
Fax: 33/(0) 1 55 68 59 68



Furon® is a registered trademark.
Flare Grip® is a registered trademark.
PillarFitting® is a registered trademark of Nippon Pillar Packaging Co., LTD.
Furon Company is an authorized distributor and licensee of the Super Type PillarFitting®.

12-month **Limited Warranty:** For a period of 12 months from the date of first sale, Saint-Gobain Performance Plastics Corporation warrants this product to be free from defects in manufacturing. This company's only obligation will be to provide replacement product for any material proven to have such a defect, or at SGPPL's option, to refund the purchase price thereof. User assumes all other risks, if any, including the risk of injury, loss or damage, whether direct, consequential or incidental, arising out of the use, misuse, or inability to use this product. SAINT-GOBAIN PERFORMANCE PLASTICS DISCLAIMS ALL IMPLIED WARRANTIES OF MERCHANTABILITY AND FITNESS FOR A PARTICULAR PURPOSE.

NOTE: Saint-Gobain Performance Plastics Corporation does not assume any responsibility or liability for any advice furnished by it, or for the performance or results of any installation or use of the product or of any final product into which the product may be incorporated by the purchaser and/or user.